

CWM201-X CARATTERISTICHE IDRAULICHE Hz 50

HYDRAULIC FEATURES • CARACTERÍSTICAS HIDRÁULICAS
 CARACTERISTIQUES HYDRAULIQUES
 ГИДРАВЛИЧЕСКИЕ ХАРАКТЕРИСТИКИ • CARACTERISTICAS HIDRAULICAS

| Tipo Type Тип | P ₂ | | 400V 3~ In (A) | U.S.g.p.m. Q m ³ /h l/min | 0 | 52.8 | 70.4 | 88 | 105.6 | 123.2 | 140.8 | 158,4 | 176 | | |
|---------------------|----------------|------|----------------------|---|-------|-------|-------|-------|-------|-------|-------|-------|-------|--|--|
| | kW | HP | | | H (m) | | | | | | | | | | |
| | | | | | 0 | 12 | 16 | 20 | 24 | 28 | 32 | 36 | 40 | | |
| CWM201X/3 | 7.5 | 10 | 15 | | 74 | 70 | 67 | 63 | 59 | 53 | 47 | 39 | 30 | | |
| CWM201X/4 | 9 | 12.5 | 17.6 | | 98 | 93 | 89 | 84 | 78 | 70 | 62 | 52 | 40 | | |
| CWM201X/5 | 11 | 15 | 22 | | 123 | 116 | 111 | 105 | 97.5 | 87.5 | 77.5 | 65 | 50 | | |
| CWM201X/6 | 15 | 20 | 28.5 | | 149 | 140 | 135 | 127 | 118 | 106 | 94 | 78 | 62 | | |
| CWM201X/7 | 15 | 20 | 28.5 | | 174 | 163 | 157.5 | 148 | 137.5 | 123.5 | 109.5 | 91 | 75 | | |
| CWM201X/8 | 18.5 | 25 | 35.5 | | 202 | 190 | 184 | 168 | 161 | 150 | 137 | 108 | 92 | | |
| CWM201X/9 | 22 | 30 | 42 | | 227 | 213 | 207 | 189 | 181 | 168 | 154 | 121.5 | 103 | | |
| CWM201X/10 | 22 | 30 | 42 | | 253 | 235 | 230 | 215 | 202 | 183 | 160 | 137 | 115 | | |
| CWM201X/11 | 25 | 34 | 48.5 | | 278 | 258.5 | 253 | 236.5 | 222 | 201 | 176 | 150 | 126.5 | | |
| CWM201X/12 | 25 | 34 | 48.5 | | 303 | 282 | 276 | 258 | 242 | 219 | 192 | 164 | 138 | | |
| CWM201X/13 | 30 | 40 | 55 | | 329 | 306 | 296 | 279 | 263 | 238 | 209 | 177.5 | 148.5 | | |

DIMENSIONI E PESI - VERSIONI STANDARD CON MOTORE NORMALIZZATO

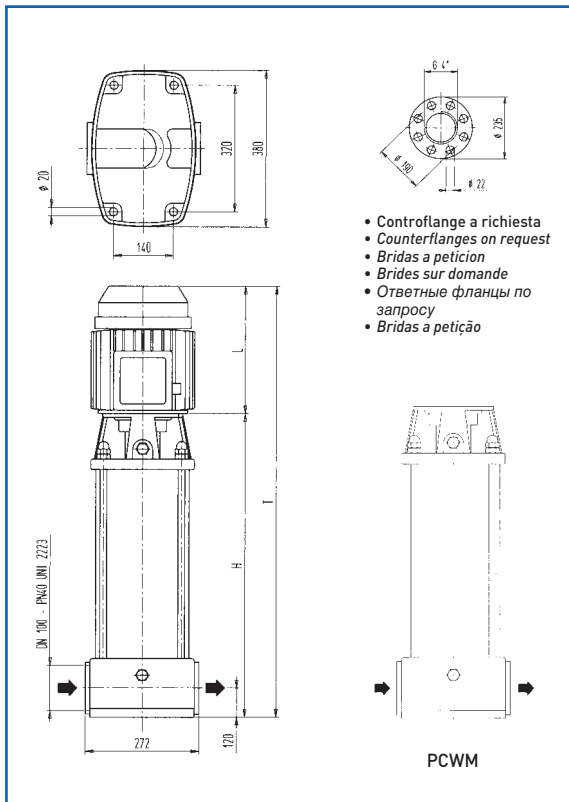
DIMENSIONS AND WEIGHT - STANDARD VERSIONS WITH NORMALIZED MOTOR

DIMENSIONES Y PESOS - VERSIONES ESTÁNDAR CON MOTOR NORMALIZADO

DIMENSIONS ET POIDS - VERSIONS STANDARD AVEC MOTEUR NORMALISÉ

РАЗМЕРЫ И ВЕС - БАЗОВЫЕ ИСПОЛНЕНИЯ С УНИФИЦИРОВАННЫМ ДВИГАТЕЛЕМ

DIMENSÕES E PESO - VERSOIS ESTÁNDAR COM MOTOR NORMALIZADO



| Tipo Type • Тип | MEC | H | L | T |
|--------------------|------|------|-----|------|
| CWM201X/3 | 132S | 693 | 378 | 1071 |
| CWM201X/4 | 132S | 792 | 378 | 1170 |
| CWM201X/5 | 160M | 856 | 460 | 1316 |
| CWM201X/6 | 160M | 920 | 460 | 1380 |
| CWM201X/7 | 160M | 984 | 460 | 1444 |
| CWM201X/8 | 160L | 1148 | 540 | 1688 |
| CWM201X/9 | 180M | 1212 | 580 | 1792 |
| CWM201X/10 | 180M | 1271 | 580 | 1851 |
| CWM201X/11 | 180L | 1335 | 580 | 1915 |
| CWM201X/12 | 180L | 1340 | 580 | 1920 |
| CWM201X/13 | 200L | 1463 | 640 | 2103 |

CWM201-A CARATTERISTICHE IDRAULICHE Hz 50

HYDRAULIC FEATURES • CARACTERÍSTICAS HIDRÁULICAS
 CARACTERISTIQUES HYDRAULIQUES
 ГИДРАВЛИЧЕСКИЕ ХАРАКТЕРИСТИКИ • CARACTERISTICAS HIDRAULICAS

| Tipo Type Тип | P ₂ | | 400V 3~ In (A) | H (m) | Q | | | | | | | | | | | | | | | | |
|---------------------|----------------|------|----------------------|----------|-------------------|-------|-------|-------|-------|-------|-------|-------|------|-------|-------|-------|-------|-----|-------|--|--|
| | kW | HP | | | U.S.g.p.m. | | | | | | | | | | | | | | | | |
| | | | | | m ³ /h | | | | | | | | | | | | | | | | |
| | | | | | 0 | 70.4 | 79.2 | 88 | 96.8 | 105.6 | 114.4 | 123.2 | 132 | 140.8 | 149.6 | 158.4 | 176 | 198 | 220 | | |
| | | | | | 0 | 16 | 18 | 20 | 22 | 24 | 26 | 28 | 30 | 32 | 34 | 36 | 40 | 45 | 50 | | |
| | | | | | 0 | 266.7 | 300 | 333.3 | 366.7 | 400 | 433.3 | 466.7 | 501 | 533.3 | 567.8 | 600 | 666.7 | 750 | 833.3 | | |
| CWM201A/2 | 5.5 | 7.5 | 11 | | 51 | 49.5 | 49 | 48 | 47 | 46 | 44 | 43 | 42.5 | 40.5 | 40 | 37 | 33 | 28 | 23 | | |
| CWM201A/3 | 9 | 12.5 | 17.6 | | 76.5 | 74.5 | 73 | 72 | 71 | 69 | 67 | 65 | 63 | 60.5 | 58 | 55.5 | 49.5 | 42 | 34.5 | | |
| CWM201A/4 | 11 | 15 | 22 | | 102 | 99 | 98 | 96 | 94.5 | 91 | 88 | 86.5 | 83 | 81 | 77 | 74 | 66 | 56 | 46 | | |
| CWM201A/5 | 15 | 20 | 28.5 | | 127.5 | 124 | 122 | 120 | 118 | 114 | 112 | 108 | 104 | 101 | 96 | 92.5 | 82.5 | 70 | 57.5 | | |
| CWM201A/6 | 18.5 | 25 | 35.5 | | 153 | 149 | 146.5 | 144 | 141.5 | 137 | 133 | 129.5 | 125 | 121 | 115 | 111 | 99 | 84 | 69 | | |
| CWM201A/7 | 22 | 30 | 42 | | 178.5 | 173.5 | 171 | 168 | 165 | 161 | 156 | 151 | 145 | 141.5 | 133 | 129.5 | 115.5 | 98 | 80.5 | | |
| CWM201A/8 | 22 | 30 | 42 | | 204 | 198.5 | 195 | 192 | 189 | 183 | 178 | 173 | 166 | 161.5 | 152 | 148 | 132 | 112 | 92 | | |
| CWM201A/9 | 25 | 34 | 48.5 | | 229.5 | 223 | 220 | 216 | 212.5 | 206 | 200 | 194.5 | 188 | 182 | 172 | 166.5 | 148.5 | 126 | 103.5 | | |
| CWM201A/10 | 30 | 40 | 55 | | 255 | 248 | 244 | 240 | 236 | 229 | 223 | 216 | 208 | 202 | 190.5 | 185 | 15 | 140 | 115 | | |
| CWM201A/11 | 30 | 40 | 55 | | 280.5 | 273 | 268.5 | 264 | 259.5 | 252 | 245 | 237.5 | 231 | 222 | 213 | 203.5 | 181.5 | 154 | 126.5 | | |
| CWM201A/12 | 37 | 50 | 68.5 | | 306 | 298 | 293 | 288 | 283 | 275 | 267 | 259 | 250 | 242.5 | 230 | 222 | 198 | 168 | 138 | | |
| CWM201A/13 | 37 | 50 | 68.5 | | 331.5 | 322.5 | 317 | 312 | 307 | 298 | 290 | 281 | 272 | 262.5 | 251 | 240.5 | 214.5 | 182 | 149.5 | | |

DIMENSIONI E PESI - VERSIONI STANDARD CON MOTORE NORMALIZZATO

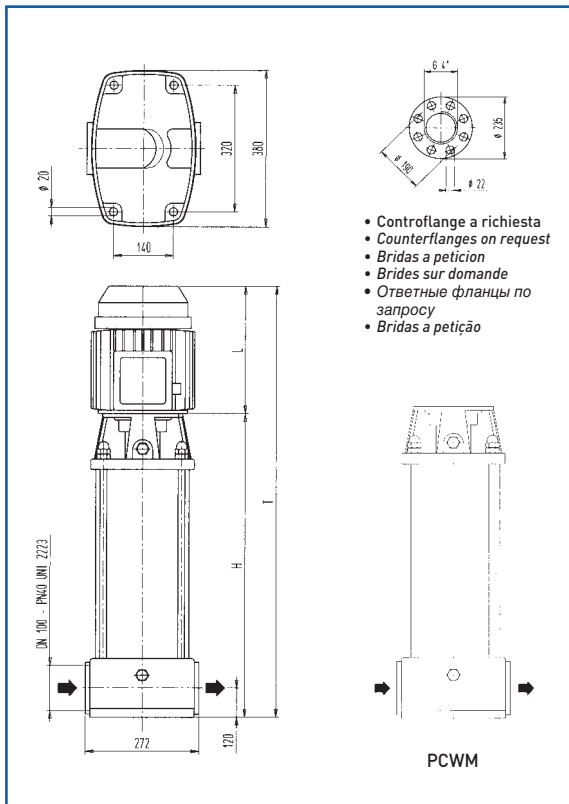
DIMENSIONS AND WEIGHT - STANDARD VERSIONS WITH NORMALIZED MOTOR

DIMENSIONES Y PESOS - VERSIONES ESTÁNDAR CON MOTOR NORMALIZADO

DIMENSIONS ET POIDS - VERSIONS STANDARD AVEC MOTEUR NORMALISÉ

РАЗМЕРЫ И ВЕС - БАЗОВЫЕ ИСПОЛНЕНИЯ С УНИФИЦИРОВАННЫМ ДВИГАТЕЛЕМ

DIMENSÕES E PESO - VERSOIS ESTÁNDAR COM MOTOR NORMALIZADO



| Tipo Type • Тип | MEC | H | L | T |
|--------------------|------|------|-----|------|
| CWM201 A/2 | 132S | 629 | 378 | 1007 |
| CWM201 A/3 | 132S | 693 | 378 | 1071 |
| CWM201 A/4 | 160M | 792 | 460 | 1252 |
| CWM201 A/5 | 160M | 856 | 460 | 1316 |
| CWM201 A/6 | 160L | 920 | 540 | 1460 |
| CWM201 A/7 | 180M | 984 | 580 | 1564 |
| CWM201 A/8 | 180M | 1148 | 580 | 1728 |
| CWM201 A/9 | 180L | 1212 | 580 | 1792 |
| CWM201A/10 | 200L | 1271 | 640 | 1911 |
| CWM201A/11 | 200L | 1335 | 640 | 1975 |
| CWM201A/12 | 200L | 1340 | 640 | 1980 |
| CWM201A/13 | 200L | 1463 | 640 | 2103 |

CWM201-B

CARATTERISTICHE IDRAULICHE

HYDRAULIC FEATURES • CARACTERÍSTICAS HIDRÁULICAS

CARACTERISTIQUES HYDRAULIQUES

ГИДРАВЛИЧЕСКИЕ ХАРАКТЕРИСТИКИ • CARACTERISTICAS HIDRAULICAS

Hz 50

| Tipo Type Тип | P ₂ | | 400V 3~ In (A) | U.S.g.p.m. Q m ³ /h l/min | 0 | 158.4 | 176 | 198 | 220 | 246.4 | 277.2 | 308 | 352 | |
|---------------------|----------------|-----|----------------------|---|----------|-------|-------|-------|-----|-------|-------|------|--------|--------|
| | kW | HP | | | H (m) | 0 | 36 | 40 | 45 | 50 | 56 | 63 | 70 | 80 |
| | | | | | | 0 | 600 | 666.7 | 750 | 833.3 | 933.3 | 1050 | 1166.7 | 1333.3 |
| CWM201 B/1 | 5.5 | 7.5 | 11 | H (m) | 26 | 24 | 23.5 | 23 | 22 | 21 | 20 | 18.5 | 14 | |
| CWM201 B/2 | 11 | 15 | 22 | | 52 | 48 | 47 | 46 | 44 | 42 | 40 | 37 | 28 | |
| CWM201 B/3 | 15 | 20 | 28.5 | | 78 | 72 | 70.5 | 69 | 66 | 63 | 60 | 55.5 | 42 | |
| CWM201 B/4 | 22 | 30 | 42 | | 104 | 96 | 94 | 92 | 88 | 84 | 80 | 74 | 56 | |
| CWM201 B/5 | 25 | 34 | 48.5 | | 130 | 120 | 117.5 | 115 | 110 | 105 | 100 | 92.5 | 70 | |
| CWM201 B/6 | 30 | 40 | 55 | | 156 | 144 | 141 | 138 | 132 | 126 | 120 | 111 | 84 | |
| CWM201 B/7 | 37 | 50 | 68.5 | | 182 | 168 | 164.5 | 161 | 154 | 147 | 140 | 129 | 98 | |

DIMENSIONI E PESI - VERSIONI STANDARD CON MOTORE NORMALIZZATO

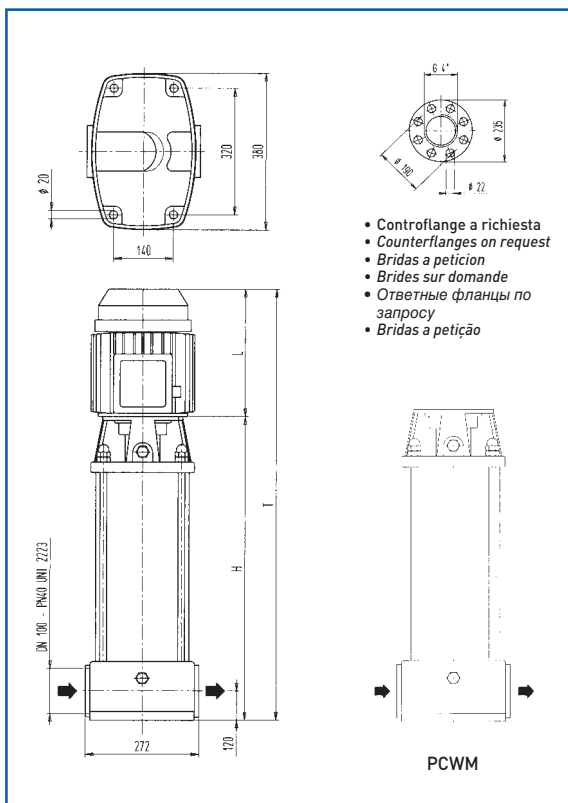
DIMENSIONS AND WEIGHT - STANDARD VERSIONS WITH NORMALIZED MOTOR

DIMENSIONES Y PESOS - VERSIONES ESTÁNDAR CON MOTOR NORMALIZADO

DIMENSIONS ET POIDS - VERSIONS STANDARD AVEC MOTEUR NORMALISÉ

РАЗМЕРЫ И ВЕС - БАЗОВЫЕ ИСПОЛНЕНИЯ С УНИФИЦИРОВАННЫМ ДВИГАТЕЛЕМ

DIMENSÕES E PESO - VERSOIS ESTÁNDAR COM MOTOR NORMALIZADO



| Tipo Type • Тип | MEC | H | L | T |
|--------------------|------|------|-----|------|
| CWM201 B/1 | 132S | 574 | 378 | 952 |
| CWM201 B/2 | 160M | 647 | 460 | 1107 |
| CWM201 B/3 | 160M | 755 | 460 | 1215 |
| CWM201 B/4 | 180M | 828 | 580 | 1408 |
| CWM201 B/5 | 180L | 896 | 580 | 1476 |
| CWM201 B/6 | 200L | 969 | 640 | 1609 |
| CWM201 B/7 | 200L | 1042 | 640 | 1682 |

CWM201-C

CARATTERISTICHE IDRAULICHE HYDRAULIC FEATURES • CARACTERÍSTICAS HIDRÁULICAS CARACTERISTIQUES HYDRAULIQUES ГИДРАВЛИЧЕСКИЕ ХАРАКТЕРИСТИКИ • CARACTERISTICAS HIDRAULICAS

Hz 50

| Tipo Type Тип | P ₂ | | 400V 3~ In (A) | U.S.g.p.m. Q | 0 | 198 | 220 | 246.4 | 277.2 | 308 | 352 | 396 | 418 | 440 | 462 | 484 | |
|---------------------|----------------|----|----------------------|-----------------|-------------------|------|-------|-------|-------|------|--------|--------|------|------|------|------|------|
| | kW | HP | | | m ³ /h | 0 | 45 | 50 | 56 | 63 | 70 | 80 | 90 | 95 | 100 | 105 | 110 |
| | | | | | l/min | 0 | 750 | 833.3 | 933.3 | 1050 | 1166.7 | 1333.3 | 1500 | 1583 | 1667 | 1750 | 1833 |
| CWM201 C/2 | 15 | 20 | 28.5 | H (m) | 56 | 46.5 | 45.5 | 44.5 | 42.5 | 40.5 | 37 | 32 | 28.5 | 25 | 20.5 | 12 | |
| CWM201 C/3 | 18.5 | 25 | 35.5 | | 84 | 69.5 | 68.5 | 66.5 | 63.5 | 60.5 | 55 | 48 | 43 | 37.5 | 30.5 | 18 | |
| CWM201 C/4 | 25 | 34 | 48.5 | | 112 | 92.5 | 91 | 88.5 | 84.5 | 80.5 | 73.5 | 64 | 57.6 | 50.5 | 40.5 | 24 | |
| CWM201 C/5 | 30 | 40 | 55 | | 140 | 116 | 114 | 111 | 106 | 101 | 92 | 80 | 72 | 63 | 51 | 30 | |
| CWM201 C/6 | 37 | 50 | 68.5 | | 168 | 139 | 136.5 | 133 | 127 | 121 | 110 | 96 | 89 | 75.5 | 61 | 36 | |

DIMENSIONI E PESI - VERSIONI STANDARD CON MOTORE NORMALIZZATO

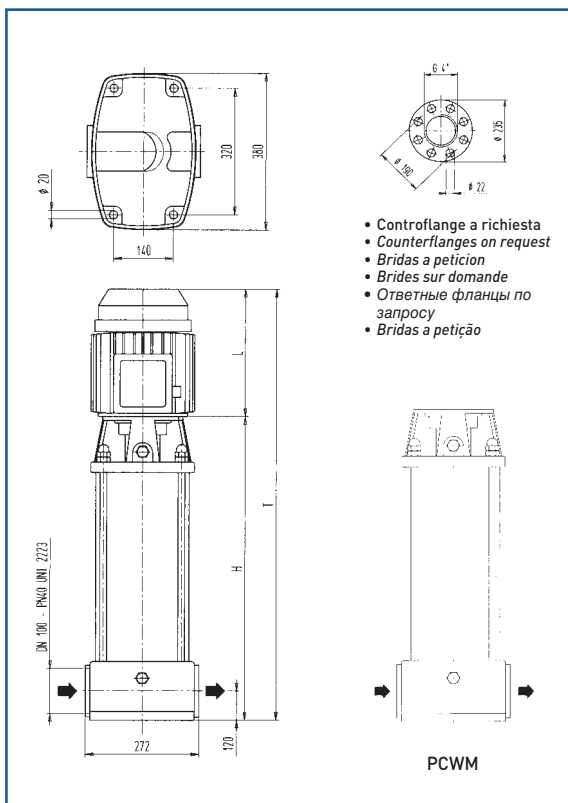
DIMENSIONS AND WEIGHT - STANDARD VERSIONS WITH NORMALIZED MOTOR

DIMENSIONES Y PESOS - VERSIONES ESTÁNDAR CON MOTOR NORMALIZADO

DIMENSIONS ET POIDS - VERSIONS STANDARD AVEC MOTEUR NORMALISÉ

РАЗМЕРЫ И ВЕС - БАЗОВЫЕ ИСПОЛНЕНИЯ С УНИФИЦИРОВАННЫМ ДВИГАТЕЛЕМ

DIMENSÕES E PESO - VERSOIS ESTÁNDAR COM MOTOR NORMALIZADO



| Типо Type • Тип | MEC | H | L | T |
|--------------------|------|-----|-----|------|
| CWM201 C/2 | 160M | 647 | 460 | 1107 |
| CWM201 C/3 | 160L | 755 | 540 | 1295 |
| CWM201 C/4 | 180L | 828 | 580 | 1408 |
| CWM201 C/5 | 200L | 896 | 640 | 1536 |
| CWM201 C/6 | 200L | 969 | 640 | 1609 |